



FORCE & TORQUE MEASUREMENT
ISO 9001 & ISO/IEC 17025 ACCREDITED

IMADA, Incorporated

3100 Dundee Rd., Suite 707, Northbrook, IL 60062
Tel: 847-562-0834 Fax: 847-562-0839
www.imada.com E-mail: imada@imada.com

Standard Attachments 'S' Series

for FB, PS, DPS, Z2 and ZP Force Gauge Kits



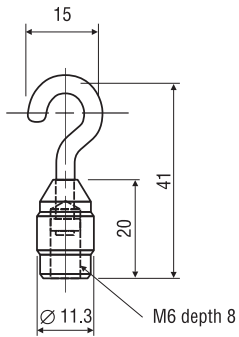
S-1 S-2 S-3 S-4 S-5 S-6



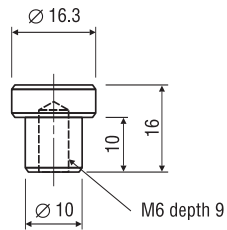
S-7 S-8

PS and Z kits include all attachments.
FB and DPS kits include all except large hook and Y-hook.
Series 'S' 110 lbf max.

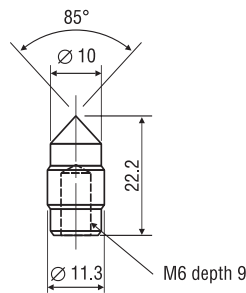
Specifications subject to change without notice.



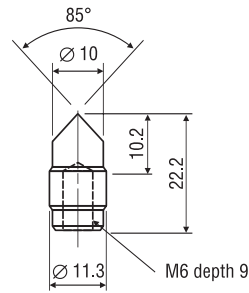
S-1 Small Hook (13g)



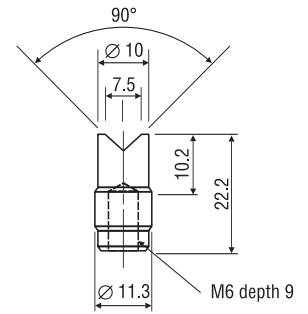
S-2 Flat Tip (13g)



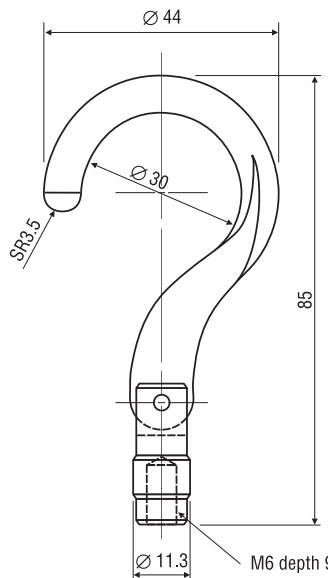
S-3 Conical Tip (10g)



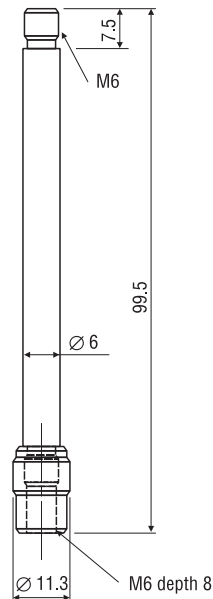
S-4 Chisel Tip (11g)



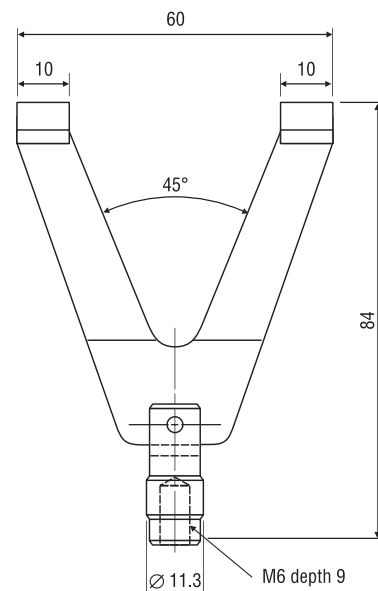
S-5 Notched Tip (11g)



S-7 Large Hook (44g)



S-6 Extension Shaft (27g)



S-8 Y Hook (58g)